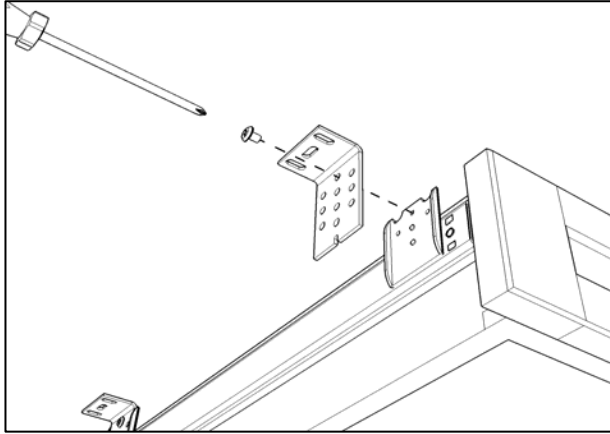




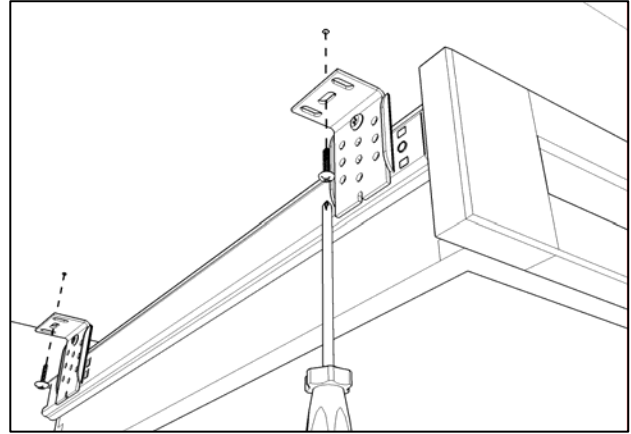
For use with Fulturer brand Glide system

Countertop Mounting:

1. Attach included brackets to drawer runner through the top hole.

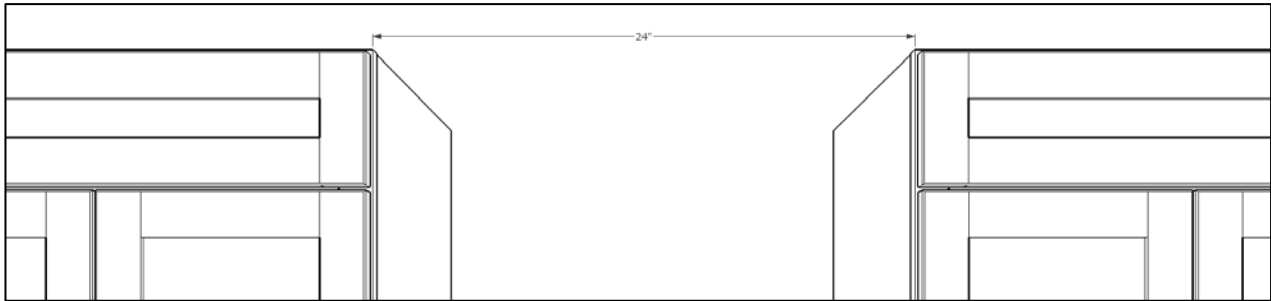


2. Attach bracket to countertop with appropriate screw for countertop type (not included)



Cabinet to Cabinet Mounting

1. Ensure that cabinets are appropriately spaced at 24"



2. Attach to cabinet side with the #4 x 3/4" screws and plastic spacers as shown

